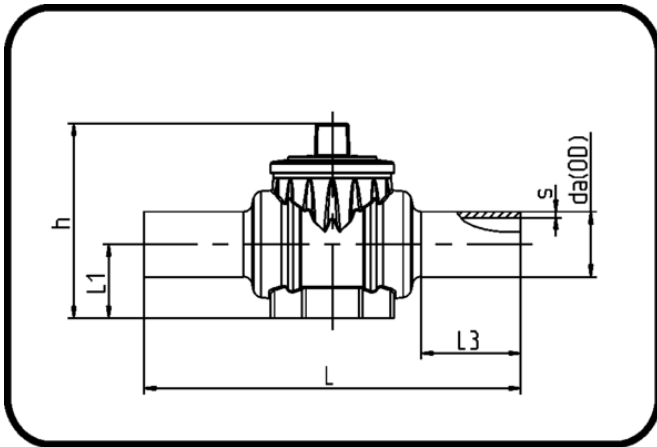


Valves



Code: 333.0

- **Ball Valve PVAG**
- NBR-sealing
- for natural gas
- injection moulded
- **Butt + E-socket-welding**
- **PE 100 orange**

Dimension	Code	Detail	da(OD) mm	s mm	L mm	L1 mm	L3 mm	h mm	Weight
32	45.333.0032.11	32 - SDR11 MOP 10 bar	32	3	285	46	75	150	0.82
40	45.333.0040.11	40 - SDR11 MOP 10 bar	40	3,7	328	42,1	100	143,2	0.795
50	45.333.0050.11	50 - SDR11 MOP 10 bar	50	4,6	340	62,2	90	194	1.86
63	45.333.0063.11	63 - SDR11 MOP 10 bar	63	5,8	410	77	112	225	3.8
90	45.333.0090.11	90 - SDR11 MOP 10 bar	90	8,2	521	100	135	275	7
110	45.333.0110.11	110 - SDR11 MOP 10 bar	110	10	595	122	150	312	11.2
125	45.333.0125.11	125 - SDR11 MOP 10 bar	125	11,4	700	122	206	310	12